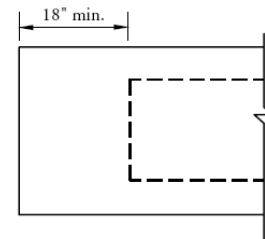
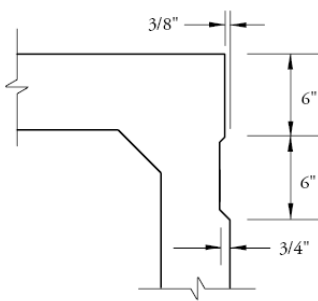
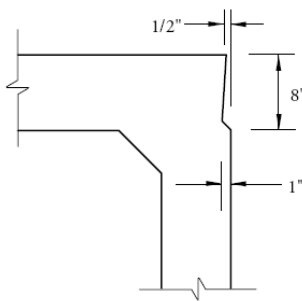
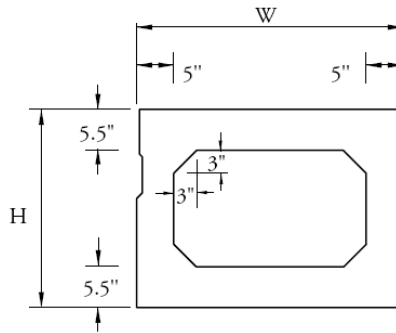


AASHTO Box Beams



Typical Keyway Details

Typical Longitudinal Section

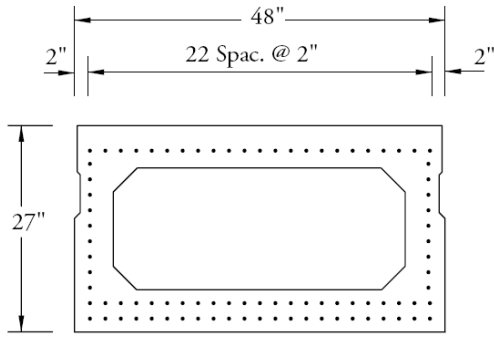
Dimensions:

Type	W	H
BI-36	36	27
BI-48	48	27
BII-36	36	33
BII-48	48	33
BIII-36	36	39
BIII-48	48	39
BIV-36	36	42
BIV-48	48	42

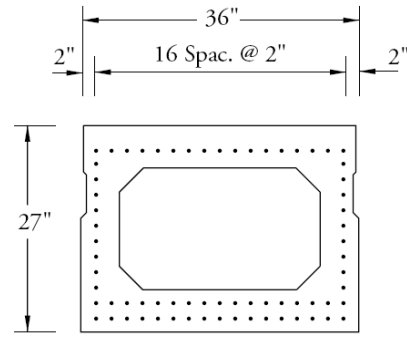
Properties:

Type	Area in. ²	y _{bottom} in.	Inertia in. ⁴	Weight kip/ft
BI-36	560.5	13.35	50,334	0.584
BI-48	692.5	13.37	65,941	0.721
BII-36	620.5	16.29	85,153	0.646
BII-48	752.5	16.33	110,499	0.784
BIII-36	680.5	19.25	131,145	0.709
BIII-48	812.5	19.29	168,367	0.846
BIV-36	710.5	20.73	158,644	0.74
BIV-48	842.5	20.78	203,088	0.878

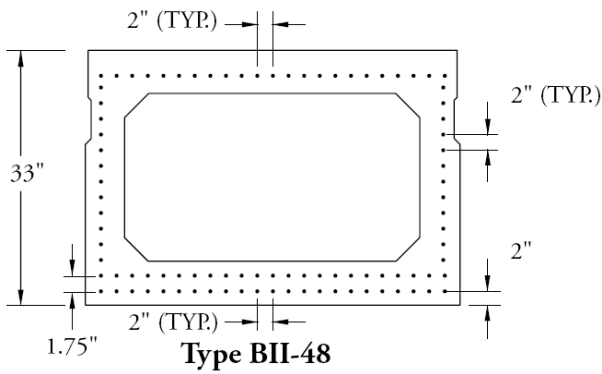
AASHTO Box Beams



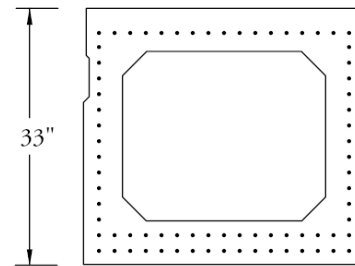
Type BI-48



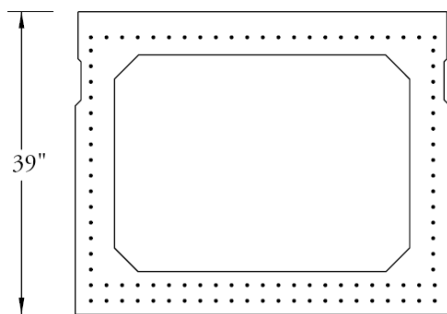
Type BI-36



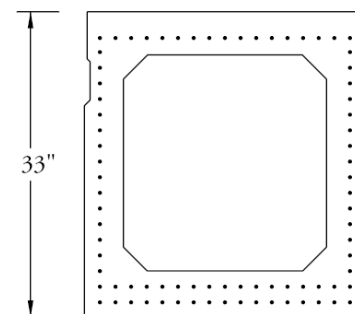
Type BII-48



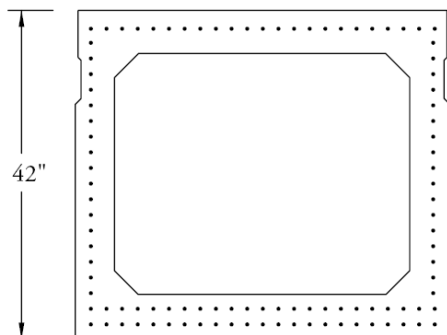
Type BII-36



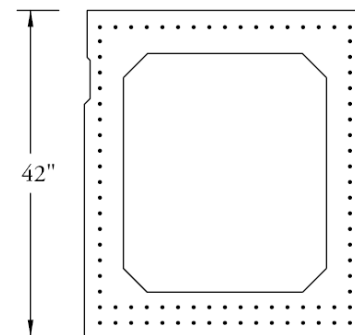
Type BIII-48



Type BIII-36



Type BIV-48



Type BIV-36